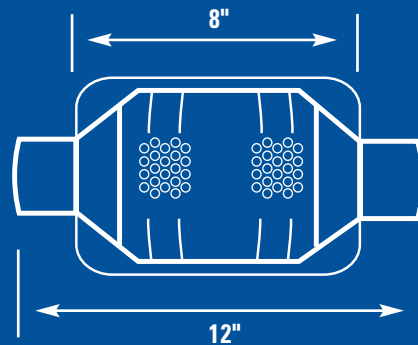


**NEW**

**Get faster, easier installations  
on smaller engine applications.**

## **Eastern Catalytic 8" Universal**

- Rated for engines up to 3.8L / 4,250 lbs.
- Smaller size makes them easier to fit on small cars and in tight installations – perfect for many imports and small engine applications
- Available inlet and outlet sizes: 1.75", 2", 2.25"



**OBD II Compliant\* / 49 States**

\*California excluded

*Available for all popular domestic and import applications.*

PART #	BODY/OA	IN/OUT ID	AIR	SENSOR PORT	L/lbs
70380	8" / 12"	1.75"	NO	NO	3.8 / 4,250
70382	8" / 12"	2"	NO	NO	3.8 / 4,250
70384	8" / 12"	2.25"	NO	NO	3.8 / 4,250

Check out our complete range of Universal, Direct-Fit,  
and High Performance Converters online:

[www.easterncatalytic.com](http://www.easterncatalytic.com)

**EASTERN™  
CATALYTIC**

World Class Catalytic Converters

2151 Cabot Blvd. West  
Langhorne, PA, 19047 USA

**(800) 553-7199**

Tel: 215-946-5500 • Fax: (215) 946-8802